

GXK series

105°C 7000 時間
Load Life : 105°C 7000 hours



◆規格表 / SPECIFICATIONS

| 項目 Item | 特性 Characteristics | | | | | | | | | |
|--|---|-----------------------------|---------------|----------|---------------|---------|-------------------|------|---|----|
| カテゴリ温度範囲 Category Temperature Range | -25~+105°C | | | | | | | | | |
| 定格電圧範囲 Rated Voltage Range | 160~500Vdc | | | | | | | | | |
| 静電容量許容差 Capacitance Tolerance | ±20% (20°C, 120Hz) | | | | | | | | | |
| 漏れ電流 Leakage Current (MAX) | $I=3\sqrt{CV}$ (定格電圧印加5分後) $I=3\sqrt{CV}$ (After 5 minutes application of rated voltage) I=漏れ電流 (μA) C=静電容量 (μF) V=定格電圧 (Vdc) Leakage Current Capacitance Rated Voltage | | | | | | | | | |
| 損失角の正接 (tan δ) Dissipation Factor (MAX) | <table border="1"> <tr> <td>定格電圧 (Vdc) Rated Voltage</td> <td>160~450</td> <td>475, 500</td> <td rowspan="2">(20°C, 120Hz)</td> </tr> <tr> <td>tan δ</td> <td>0.20</td> <td>0.25</td> </tr> </table> | 定格電圧 (Vdc) Rated Voltage | 160~450 | 475, 500 | (20°C, 120Hz) | tan δ | 0.20 | 0.25 | | |
| 定格電圧 (Vdc) Rated Voltage | 160~450 | 475, 500 | (20°C, 120Hz) | | | | | | | |
| tan δ | 0.20 | 0.25 | | | | | | | | |
| 耐久性 Endurance | 105°C中で7000時間定格電圧(リップル重畳)印加後、下記項目を満足すること。 After applying rated voltage with rated ripple current for 7000 hours at 105°C, the capacitors shall meet the following requirements. | | | | | | | | | |
| 低温特性 Low Temperature Stability (インピーダンス比) Impedance Ratio (MAX) | <table border="1"> <tr> <td>定格電圧 (Vdc) Rated Voltage</td> <td>160~250</td> <td>400~450</td> <td>475, 500</td> <td rowspan="2">(120Hz)</td> </tr> <tr> <td>Z(-25°C)/Z(+20°C)</td> <td>4</td> <td>8</td> <td>10</td> </tr> </table> | 定格電圧 (Vdc) Rated Voltage | 160~250 | 400~450 | 475, 500 | (120Hz) | Z(-25°C)/Z(+20°C) | 4 | 8 | 10 |
| 定格電圧 (Vdc) Rated Voltage | 160~250 | 400~450 | 475, 500 | (120Hz) | | | | | | |
| Z(-25°C)/Z(+20°C) | 4 | 8 | 10 | | | | | | | |

◆呼称方法 / PART NUMBER

GXK M SN D x L
 定格電圧 シリーズ名 静電容量 静電容量許容差 副記号 端子記号 ケースサイズ
 Rated Voltage Series Capacitance Capacitance Tolerance Option Terminal Code Case Size

◆リップル電流補正係数 /

MULTIPLIER FOR RIPPLE CURRENT

| 周波数 (Hz) Frequency | 60 (50) | 120 (100) | 300 | 500 | 1k | 10k ≤ |
|-----------------------|--------------------|--------------|------|------|------|-------|
| 係数 Coefficient | 160~250Vdc 0.80 | 1.00 | 1.15 | 1.20 | 1.30 | 1.50 |
| | 400~500Vdc 0.80 | 1.00 | 1.15 | 1.20 | 1.25 | 1.40 |

◆副記号 / OPTION

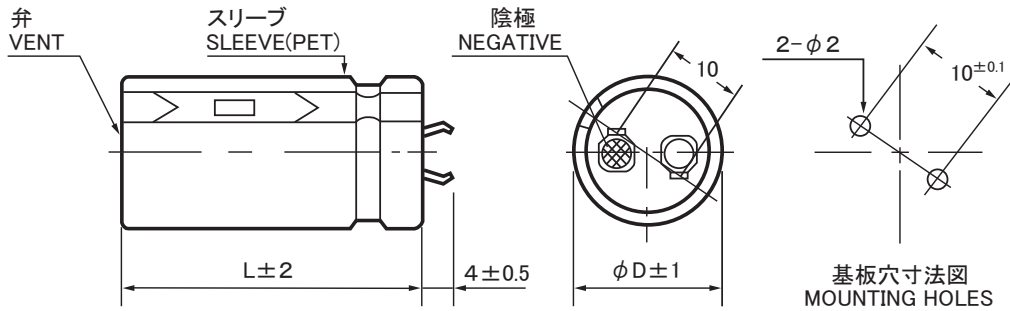
EFC : PET スリーブ、底板なし
PET Sleeve without plate

◆寸法図／DIMENSIONS

●SN[4mm]端子タイプ
SN[4mm]terminal type

端子記号 : SN(錫メッキ)
Terminal code : SN(Tin plating)

(mm)



◆標準品一覧表／STANDARD SIZE

| Cap. (μ F) | 160Vdc | | | | | | | | 180Vdc | | | | | | | |
|--------------------|-----------|------|-----------|------|-----------|------|-----------|------|-----------|------|-----------|------|-----------|------|-----------|------|
| | ϕ 22 | | ϕ 25 | | ϕ 30 | | ϕ 35 | | ϕ 22 | | ϕ 25 | | ϕ 30 | | ϕ 35 | |
| 390 | | | | | | | | | 22x25 | 1.50 | | | | | | |
| 470 | 22x25 | 1.23 | | | | | | | 22x30 | 1.75 | | | | | | |
| 560 | 22x30 | 1.85 | | | | | | | 22x30 | 1.84 | 25x25 | 1.69 | | | | |
| 680 | 22x30 | 1.92 | 25x25 | 1.76 | | | | | 22x35 | 2.12 | 25x30 | 2.00 | | | | |
| 820 | 22x35 | 2.22 | 25x30 | 2.08 | | | | | 22x40 | 2.40 | 25x35 | 2.30 | 30x25 | 1.84 | | |
| 1000 | 22x40 | 2.50 | 25x35 | 2.40 | 30x25 | 1.88 | | | 22x45 | 2.66 | 25x40 | 2.60 | 30x30 | 2.19 | | |
| 1200 | 22x50 | 2.99 | 25x40 | 2.70 | 30x30 | 2.24 | 35x25 | 1.89 | 22x55 | 3.15 | 25x45 | 2.89 | 30x35 | 2.52 | 35x25 | 1.82 |
| 1500 | 22x55 | 3.29 | 25x45 | 3.01 | 30x35 | 2.58 | 35x30 | 2.27 | | | 25x50 | 3.18 | 30x40 | 2.82 | 35x30 | 2.16 |
| 1800 | | | 25x55 | 3.55 | 30x40 | 2.89 | 35x30 | 2.19 | | | 25x60 | 3.70 | 30x45 | 3.11 | 35x35 | 2.49 |
| 2200 | | | 25x60 | 3.83 | 30x45 | 3.18 | 35x35 | 2.52 | | | | | 30x50 | 3.39 | 35x40 | 2.79 |
| 2700 | | | | | 30x55 | 3.76 | 35x40 | 2.83 | | | | | 30x60 | 3.92 | 35x45 | 3.07 |
| 3300 | | | | | 30x60 | 4.01 | 35x50 | 3.39 | | | | | | | 35x55 | 3.60 |
| 3900 | | | | | | | 35x60 | 3.95 | | | | | | | | |

| Cap. (μ F) | 200Vdc | | | | | | | | 220Vdc | | | | | | | |
|--------------------|-----------|------|-----------|------|-----------|------|-----------|------|-----------|------|-----------|------|-----------|------|-----------|------|
| | ϕ 22 | | ϕ 25 | | ϕ 30 | | ϕ 35 | | ϕ 22 | | ϕ 25 | | ϕ 30 | | ϕ 35 | |
| 330 | | | | | | | | | 22x25 | 1.43 | | | | | | |
| 390 | 22x25 | 1.50 | | | | | | | 22x30 | 1.66 | | | | | | |
| 470 | 22x30 | 1.76 | | | | | | | 22x30 | 1.74 | 25x25 | 1.62 | | | | |
| 560 | 22x35 | 2.00 | 25x25 | 1.67 | | | | | 22x35 | 2.00 | 25x30 | 1.90 | | | | |
| 680 | 22x35 | 2.08 | 25x30 | 1.99 | | | | | 22x40 | 2.27 | 25x35 | 2.18 | 30x25 | 1.77 | | |
| 820 | 22x45 | 2.55 | 25x35 | 2.28 | 30x25 | 1.81 | | | 22x45 | 2.51 | 25x40 | 2.46 | 30x30 | 2.11 | 35x25 | 1.81 |
| 1000 | 22x50 | 2.85 | 25x40 | 2.58 | 30x30 | 2.16 | 35x25 | 1.82 | 22x55 | 2.98 | 25x45 | 2.76 | 30x35 | 2.42 | 35x30 | 2.17 |
| 1200 | 22x60 | 3.28 | 25x45 | 2.86 | 30x35 | 2.48 | 35x30 | 2.20 | | | 25x50 | 3.03 | 30x35 | 2.42 | 35x30 | 2.12 |
| 1500 | | | 25x55 | 3.37 | 30x40 | 2.77 | 35x35 | 2.51 | | | 25x60 | 3.51 | 30x45 | 2.99 | 35x35 | 2.42 |
| 1800 | | | | | 30x45 | 3.06 | 35x40 | 2.80 | | | | | 30x50 | 3.26 | 35x40 | 2.72 |
| 2200 | | | | | 30x55 | 3.59 | 35x45 | 3.06 | | | | | 30x60 | 3.78 | 35x50 | 3.30 |
| 2700 | | | | | | | 35x55 | 3.54 | | | | | | | 35x60 | 3.79 |

| Cap. (μ F) | 250Vdc | | | | | | | | 400Vdc | | | | | | | |
|--------------------|-----------|------|-----------|------|-----------|------|-----------|------|-----------|------|-----------|------|-----------|------|-----------|------|
| | ϕ 22 | | ϕ 25 | | ϕ 30 | | ϕ 35 | | ϕ 22 | | ϕ 25 | | ϕ 30 | | ϕ 35 | |
| 120 | | | | | | | | | 22x25 | 0.86 | | | | | | |
| 150 | | | | | | | | | 22x30 | 1.01 | | | | | | |
| 180 | | | | | | | | | 22x30 | 1.08 | 25x25 | 1.05 | | | | |
| 220 | | | | | | | | | 22x35 | 1.25 | 25x30 | 1.23 | | | | |
| 270 | 22x25 | 1.34 | | | | | | | 22x40 | 1.40 | 25x35 | 1.41 | 30x25 | 1.27 | | |
| 330 | 22x30 | 1.57 | | | | | | | 22x50 | 1.68 | 25x40 | 1.61 | 30x30 | 1.48 | 35x25 | 1.37 |
| 390 | 22x30 | 1.65 | 25x25 | 1.55 | | | | | 22x55 | 1.85 | 25x45 | 1.79 | 30x35 | 1.69 | 35x30 | 1.63 |
| 470 | 22x35 | 1.90 | 25x30 | 1.81 | | | | | | | 25x50 | 1.98 | 30x40 | 1.90 | 35x30 | 1.64 |
| 560 | 22x40 | 2.14 | 25x35 | 2.07 | 30x25 | 1.72 | | | | | 25x60 | 2.29 | 30x45 | 2.11 | 35x35 | 1.87 |
| 680 | 22x45 | 2.39 | 25x35 | 2.14 | 30x30 | 2.04 | | | | | | | 30x50 | 2.33 | 35x40 | 2.11 |
| 820 | 22x55 | 2.81 | 25x45 | 2.62 | 30x30 | 2.05 | 35x25 | 1.74 | | | | | 30x60 | 2.68 | 35x50 | 2.51 |
| 1000 | 22x60 | 3.05 | 25x50 | 2.90 | 30x35 | 2.35 | 35x30 | 2.08 | | | | | | | 35x55 | 2.72 |
| 1200 | | | 25x60 | 3.35 | 30x40 | 2.63 | 35x35 | 2.38 | | | | | | | | |
| 1500 | | | | | 30x50 | 3.16 | 35x40 | 2.64 | | | | | | | | |
| 1800 | | | | | 30x60 | 3.64 | 35x50 | 3.21 | | | | | | | | |
| 2200 | | | | | | | 35x55 | 3.43 | | | | | | | | |

◆標準品一覧表 / STANDARD SIZE

| Cap. (μ F) | 420Vdc | | | | | | | | 450Vdc | | | | | | | |
|--------------------|-----------|------|-----------|------|-----------|------|-----------|------|-----------|------|-----------|------|-----------|------|-----------|------|
| | ϕ 22 | | ϕ 25 | | ϕ 30 | | ϕ 35 | | ϕ 22 | | ϕ 25 | | ϕ 30 | | ϕ 35 | |
| 100 | | | | | | | | | 22x25 | 0.82 | | | | | | |
| 120 | 22x25 | 0.88 | | | | | | | 22x30 | 0.95 | | | | | | |
| 150 | 22x30 | 1.04 | 25x25 | 1.01 | | | | | 22x30 | 1.04 | 25x25 | 1.01 | | | | |
| 180 | 22x35 | 1.18 | 25x30 | 1.17 | | | | | 22x35 | 1.19 | 25x30 | 1.17 | | | | |
| 220 | 22x40 | 1.35 | 25x30 | 1.24 | 30x25 | 1.22 | | | 22x40 | 1.35 | 25x35 | 1.35 | 30x25 | 1.22 | | |
| 270 | 22x45 | 1.54 | 25x35 | 1.43 | 30x30 | 1.43 | | | 22x50 | 1.60 | 25x40 | 1.54 | 30x30 | 1.43 | 35x25 | 1.33 |
| 330 | 22x55 | 1.79 | 25x40 | 1.61 | 30x30 | 1.49 | 35x25 | 1.37 | 22x55 | 1.78 | 25x45 | 1.74 | 30x35 | 1.64 | 35x30 | 1.56 |
| 390 | 22x60 | 1.96 | 25x50 | 1.92 | 30x35 | 1.71 | 35x30 | 1.61 | | | 25x50 | 1.91 | 30x40 | 1.84 | 35x30 | 1.60 |
| 470 | | | 25x55 | 2.12 | 30x40 | 1.93 | 35x35 | 1.85 | | | 25x60 | 2.21 | 30x45 | 2.05 | 35x35 | 1.83 |
| 560 | | | | | 30x45 | 2.13 | 35x35 | 1.87 | | | | | 30x50 | 2.26 | 35x40 | 2.05 |
| 680 | | | | | 30x55 | 2.50 | 35x45 | 2.30 | | | | | 30x60 | 2.61 | 35x45 | 2.26 |
| 820 | | | | | | | 35x50 | 2.51 | | | | | | | 35x55 | 2.65 |
| 1000 | | | | | | | 35x60 | 2.89 | | | | | | | | |

| Cap. (μ F) | 475Vdc | | | | | | | | 500Vdc | | | | | | | |
|--------------------|-----------|------|-----------|------|-----------|------|-----------|------|-----------|------|-----------|------|-----------|------|-----------|------|
| | ϕ 22 | | ϕ 25 | | ϕ 30 | | ϕ 35 | | ϕ 22 | | ϕ 25 | | ϕ 30 | | ϕ 35 | |
| 82 | 22x25 | 0.72 | | | | | | | 22x25 | 0.72 | | | | | | |
| 100 | 22x30 | 0.83 | | | | | | | 22x30 | 0.85 | 25x25 | 0.83 | | | | |
| 120 | 22x30 | 0.90 | 25x25 | 0.89 | | | | | 22x35 | 0.97 | 25x30 | 0.96 | | | | |
| 150 | 22x35 | 1.03 | 25x30 | 1.04 | | | | | 22x40 | 1.11 | 25x35 | 1.11 | 30x25 | 1.04 | | |
| 180 | 22x40 | 1.17 | 25x35 | 1.19 | 30x25 | 1.09 | | | 22x45 | 1.25 | 25x35 | 1.18 | 30x30 | 1.20 | | |
| 220 | 22x50 | 1.40 | 25x40 | 1.35 | 30x30 | 1.27 | 35x25 | 1.22 | 22x55 | 1.46 | 25x45 | 1.42 | 30x35 | 1.37 | 35x25 | 1.21 |
| 270 | 22x60 | 1.62 | 25x45 | 1.52 | 30x35 | 1.46 | 35x30 | 1.42 | | | 25x50 | 1.61 | 30x35 | 1.45 | 35x30 | 1.42 |
| 330 | | | 25x55 | 1.78 | 30x40 | 1.66 | 35x30 | 1.47 | | | 25x60 | 1.86 | 30x45 | 1.76 | 35x35 | 1.63 |
| 390 | | | 25x60 | 1.94 | 30x45 | 1.85 | 35x35 | 1.69 | | | | | 30x50 | 1.94 | 35x40 | 1.82 |
| 470 | | | | | 30x50 | 2.03 | 35x40 | 1.90 | | | | | 30x55 | 2.13 | 35x45 | 2.03 |
| 560 | | | | | 30x60 | 2.35 | 35x45 | 2.10 | | | | | | | 35x50 | 2.23 |
| 680 | | | | | | | 35x55 | 2.46 | | | | | | | 35x60 | 2.57 |

ケースサイズ Case Size ϕ D × L (mm) \longrightarrow \uparrow
 リプル電流 Ripple Current (A.r.m.s./120Hz, 105°C) \longrightarrow \uparrow