

KXF SERIES

105°C 20mm Height

•Load Life : 105°C 3000 hours.



◆SPECIFICATIONS

Items	Characteristics																					
Category Temperature Range	-40~+105°C	-25~+105°C																				
Rated Voltage Range	10~100Vdc	160~450Vdc																				
Capacitance Tolerance	±20% (20°C, 120Hz)																					
Leakage Current(MAX)	$I=3\sqrt{CV}$ (After 5 minutes application of rated voltage) I=Leakage Current(µA) C=Capacitance(µF) V=Rated Voltage(Vdc)																					
Dissipation Factor(MAX) (tanδ)	<table border="1"> <thead> <tr> <th>Rated Voltage (Vdc)</th> <th>10</th> <th>16</th> <th>25</th> <th>35</th> <th>50</th> <th>63</th> <th>80</th> <th>100</th> <th>160~450</th> </tr> </thead> <tbody> <tr> <td>tanδ</td> <td>0.55</td> <td>0.50</td> <td>0.45</td> <td>0.40</td> <td>0.35</td> <td>0.30</td> <td>0.25</td> <td>0.20</td> <td>0.20</td> </tr> </tbody> </table> (20°C, 120Hz)		Rated Voltage (Vdc)	10	16	25	35	50	63	80	100	160~450	tanδ	0.55	0.50	0.45	0.40	0.35	0.30	0.25	0.20	0.20
Rated Voltage (Vdc)	10	16	25	35	50	63	80	100	160~450													
tanδ	0.55	0.50	0.45	0.40	0.35	0.30	0.25	0.20	0.20													
Endurance	After applying rated voltage with rated ripple current for 3000 hours at 105°C, the capacitors shall meet the following requirements. <table border="1"> <tbody> <tr> <td>Capacitance Change</td> <td>Within ±20% of the initial value.</td> </tr> <tr> <td>Dissipation Factor</td> <td>Not more than 200% of the specified value.</td> </tr> <tr> <td>Leakage Current</td> <td>Not more than the specified value.</td> </tr> </tbody> </table>		Capacitance Change	Within ±20% of the initial value.	Dissipation Factor	Not more than 200% of the specified value.	Leakage Current	Not more than the specified value.														
Capacitance Change	Within ±20% of the initial value.																					
Dissipation Factor	Not more than 200% of the specified value.																					
Leakage Current	Not more than the specified value.																					
Low Temperature Stability Impedance Ratio(MAX)	<table border="1"> <thead> <tr> <th>Rated Voltage (Vdc)</th> <th>10~100</th> <th>160~250</th> <th>315~450</th> </tr> </thead> <tbody> <tr> <td>Z(-25°C)/Z(20°C)</td> <td>3</td> <td>3</td> <td>8</td> </tr> <tr> <td>Z(-40°C)/Z(20°C)</td> <td>12</td> <td>-</td> <td>-</td> </tr> </tbody> </table> (120Hz)		Rated Voltage (Vdc)	10~100	160~250	315~450	Z(-25°C)/Z(20°C)	3	3	8	Z(-40°C)/Z(20°C)	12	-	-								
Rated Voltage (Vdc)	10~100	160~250	315~450																			
Z(-25°C)/Z(20°C)	3	3	8																			
Z(-40°C)/Z(20°C)	12	-	-																			

◆MULTIPLIER FOR RIPPLE CURRENT

Frequency (Hz)	60 (50)	120 (100)	300	500	1k	10k≦
10~100Vdc	0.90	1.00	1.03	1.05	1.10	1.15
160~250Vdc	0.80	1.00	1.15	1.20	1.30	1.50
315~450Vdc	0.80	1.00	1.15	1.20	1.25	1.40

◆OPTION

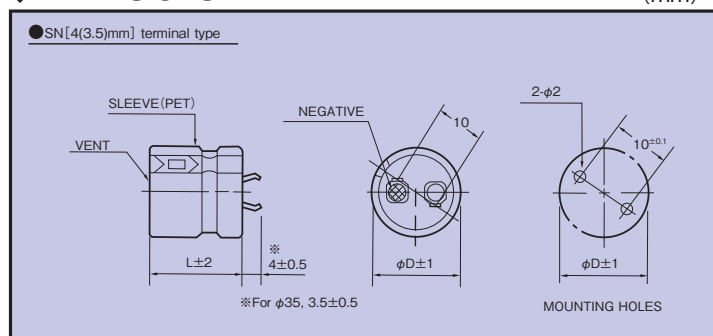
	Code
PET Sleeve without plate	EFC

◆PART NUMBER

 KXF M SN DXL
 Rated Voltage Series Capacitance Capacitance Tolerance Option Terminal Code Case Size

◆DIMENSIONS

(mm)



◆STANDARD SIZE

Cap(μF) \ Vdc	10	16	25	35	50	63	80	100
330								20×20: 0.60
390								20×20: 0.71
470							20×20: 0.65	22×20: 0.78
560							20×20: 0.70	25×20: 0.95
680						20×20: 0.83	22×20: 0.84	25×20: 1.09
820						22×20: 0.99	25×20: 1.04	30×20: 1.32
1000					20×20: 0.87	22×20: 1.10	25×20: 1.19	
1200					22×20: 1.02	25×20: 1.20	30×20: 1.44	
1500				20×20: 0.80	25×20: 1.15	30×20: 1.47		
1800				22×20: 0.94	25×20: 1.34	30×20: 1.52		
2200			20×20: 0.98	22×20: 1.04	30×20: 1.60			
2700			22×20: 1.08	25×20: 1.29				
3300		20×20: 1.06	22×20: 1.29	30×20: 1.45				
3900		20×20: 1.25	25×20: 1.58					
4700	20×20: 0.98	22×20: 1.38	25×20: 1.61					
5600	20×20: 1.16	25×20: 1.68						
6800	22×20: 1.31	25×20: 1.80						
8200	25×20: 1.59							
10000	25×20: 1.77							

Cap(μF) \ Vdc	160	180	200	220	250	315	350	385
39								20×20: 0.35
47							20×20: 0.38	20×20: 0.38
56						20×20: 0.41	20×20: 0.40	22×20: 0.42
68						22×20: 0.48	22×20: 0.45	25×20: 0.50
82						22×20: 0.51	25×20: 0.54	25×20: 0.52
100						25×20: 0.57	25×20: 0.57	30×20: 0.61
120					20×20: 0.65	30×20: 0.65	30×20: 0.65	30×20: 0.64
150				20×20: 0.70	22×20: 0.74	30×20: 0.70	35×20: 0.78	35×20: 0.80
180		20×20: 0.80	20×20: 0.80	22×20: 0.80	22×20: 0.77	35×20: 0.85	35×20: 0.85	
220	20×20: 0.81	22×20: 0.90	22×20: 0.87	25×20: 0.85	25×20: 0.95	35×20: 0.90		
270	22×20: 0.98	22×20: 0.95	25×20: 0.95	25×20: 1.02	30×20: 1.00			
330	25×20: 1.02	25×20: 1.15	25×20: 1.15	30×20: 1.12	30×20: 1.16			
390	25×20: 1.25	25×20: 1.20	30×20: 1.20	30×20: 1.25	35×20: 1.25			
470	30×20: 1.30	30×20: 1.36	30×20: 1.41	35×20: 1.45				
560	30×20: 1.46	30×20: 1.43	35×20: 1.43					
680	35×20: 1.51	35×20: 1.51						
820	35×20: 1.55							

Cap(μF) \ Vdc	400	420	450
39			20×20: 0.36
47	20×20: 0.39	20×20: 0.38	20×20: 0.41
56	20×20: 0.40	22×20: 0.45	22×20: 0.43
68	22×20: 0.49	22×20: 0.48	25×20: 0.50
82	25×20: 0.55	25×20: 0.53	25×20: 0.53
100	25×20: 0.60	30×20: 0.58	30×20: 0.61
120	30×20: 0.75	30×20: 0.70	30×20: 0.70
150	30×20: 0.80	35×20: 0.80	35×20: 0.80
180	35×20: 0.85		

↑ Ripple Current (A r.m.s./120Hz, 105°C)
 ↑ Case Size φD×L(mm)